

ART ON FIRE: FIRE HYDRANT PAINTING PROJECT

CALL FOR SUBMISSIONS

Deadline: SEPTEMBER 20, 2019

The Bridge Progressive Arts Initiative, Charlottesville Mural Project, Albemarle County Service Authority, and the County of Albemarle seek submissions for the artistic design of fire hydrants. This initial pilot program seeks to hire up to 5 artist to creatively paint 5 hydrants in Albemarle County. Each artist awarded will receive **\$300 for the design and painting of the hydrant**. Approved paint as well as brushes and tarps will be provided to the chosen artists.

Fire hydrant locations vary from residential to commercial. Designs may be abstract or representative. The goal of each design should be to contribute a sense of unique identity and meaningful beautification to each chosen area. Designs should be visually stimulating and contribute to and/or reflect community culture.

It is the hope of the community and key stakeholders that this project will serve as a model for future projects that utilize the power of inspired creativity to transform our perception and interaction with neighborhoods and public spaces. Designs not chosen for the initial pilot hydrants will be automatically entered for consideration for future locations.

The artwork is intended to remain for a period of at least one year, but hopefully much longer. The Albemarle County Service Authority reserves the right to paint over the artwork at any point for any reason.

Design Requirements:

- Must not disguise or impede visibility of the hydrant. Refrain from dark colors.
- Must utilize provided approved paint.
- No inappropriate or political messaging.
- No sculptural elements, paint only.
- Artists may submit multiple designs for consideration
- One hydrant location is the Albemarle County Service Authority. A water themed design will be chosen for this location.

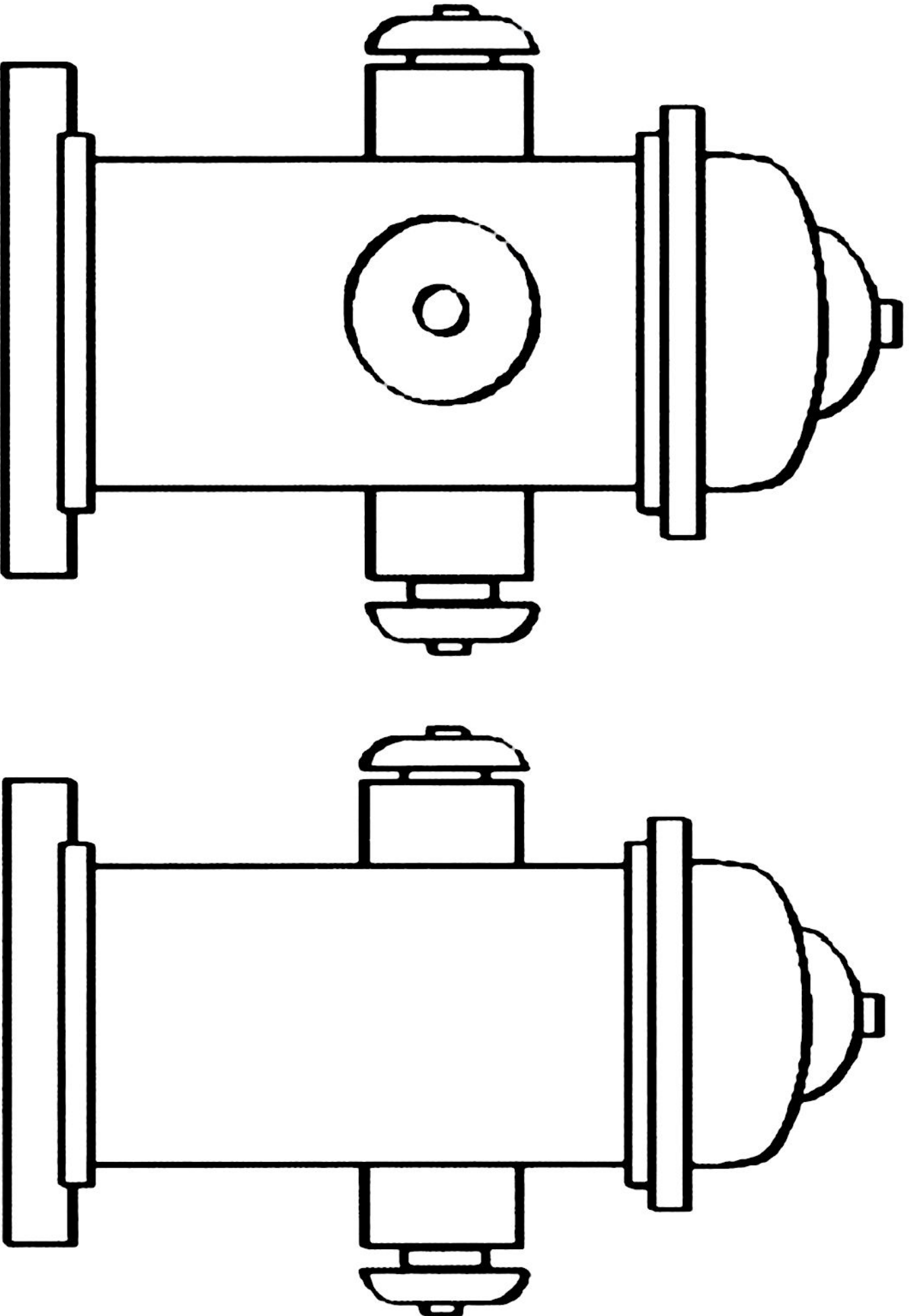
Selection Criteria:

A team of community stakeholders will choose a winning proposal for each location. The committee will make a selection based on the criteria listed below. The committee reserves the right to decline to choose from among the submitted proposals for any reason.

- Artistic excellence, prior experience, and ability to execute
- Unique design and high visual impact.
- Enhances the sense of Place.
- Content appropriate for all audiences.
- Adheres to design requirements.
- Open to all artists, with preference given to local Albemarle artists.

SUBMISSION INSTRUCTIONS ON SUBSEQUENT PAGES





- DESIGN TEMPLATE -

VISIT THIS LINK TO SUBMIT

<https://forms.gle/vMcWHZHQ3NYkgqzh8>

Submission requires answers to a few brief questions as well as an upload of your design (template above). Artists are welcome to submit multiple designs for consideration by communities. Designs not chosen for the initial pilot hydrants will be automatically entered for consideration for future locations.

Anyone with questions or difficulties submitting through google forms can contact info@thebridgepai.org for assistance.

Deadline: September 20, 2019

Thank you from The Bridge Progressive Arts Initiative, Charlottesville Mural Project, Albemarle County Service Authority, and the County of Albemarle.